

Dimension	80 x 50 mm
Stroke	500 mm
Column height	860 mm
Max. load	50 kg
Speed, 0-50 kg load	33 mm/sec
Duty cycle	10%, max 1 min. run/9 min. stop
Ambient temperature	0 - 45 C°
Storage & transport temp.	(20) - 70 C°
Friction-control	100%
Motor-brake	Patented by TiMOTION

TL25 is a new concept of lifting mechanism. It is designed to be embedded in the panels or walls and lift up/down the table top. With this solution, there are no visible heavy steel columns or feet that normally come with the height adjustable desk.

TL25 is an ideal solution for designers who would like to achieve both aesthetic and ergonomic feature for their office desks.

CE mark - EN standards / tests

The column is CE-marked for a partly completed machinery, according to following directives (Documentations / Technical Dossier upon request):

The machinery directive 2006/42/EC

The EMC directive 2014/30/EU

The LVD directive 2014/35/EU

RoHS compliant, according to directive 2011/65/

EU & REACH compliant, according to directive EC 1907/2006

Other standards / tests

EN ISO 2409:2007

EN 13849

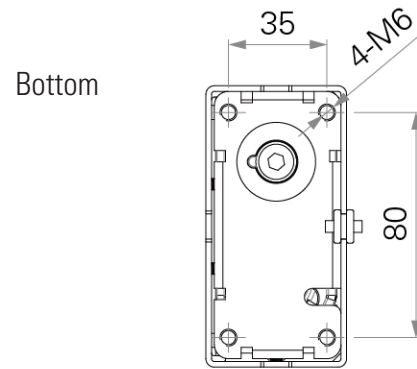
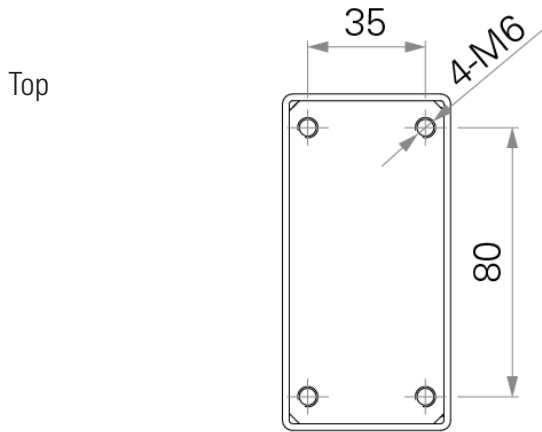
12 standard colors

Please request for separate color chart

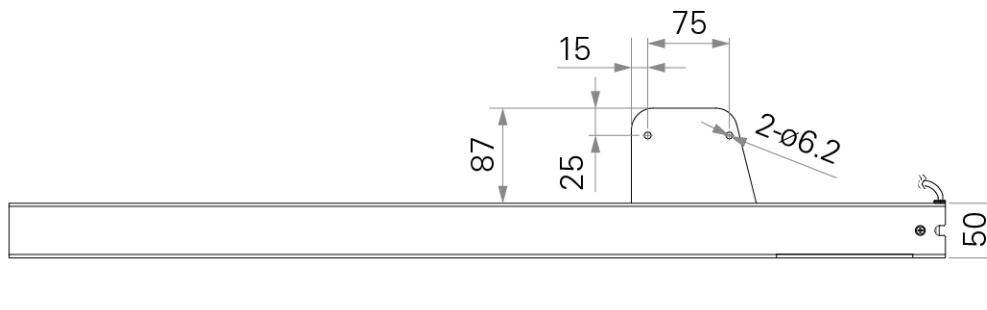


Drawing – TL25






Standard dimension (mm)



Bracket



Marking on labels

	CE mark
	General warning sign https://www.iso.org/obp/ui/#iso:grs:7000:4:0434A
	Class II – double insulation https://en.wikipedia.org/wiki/Appliance_classes
	Indoor use
	WEEE http://en.wikipedia.org/wiki/Waste_Electrical_and_Electronic_Equipment_Directive The electrical device can't be randomly discarded