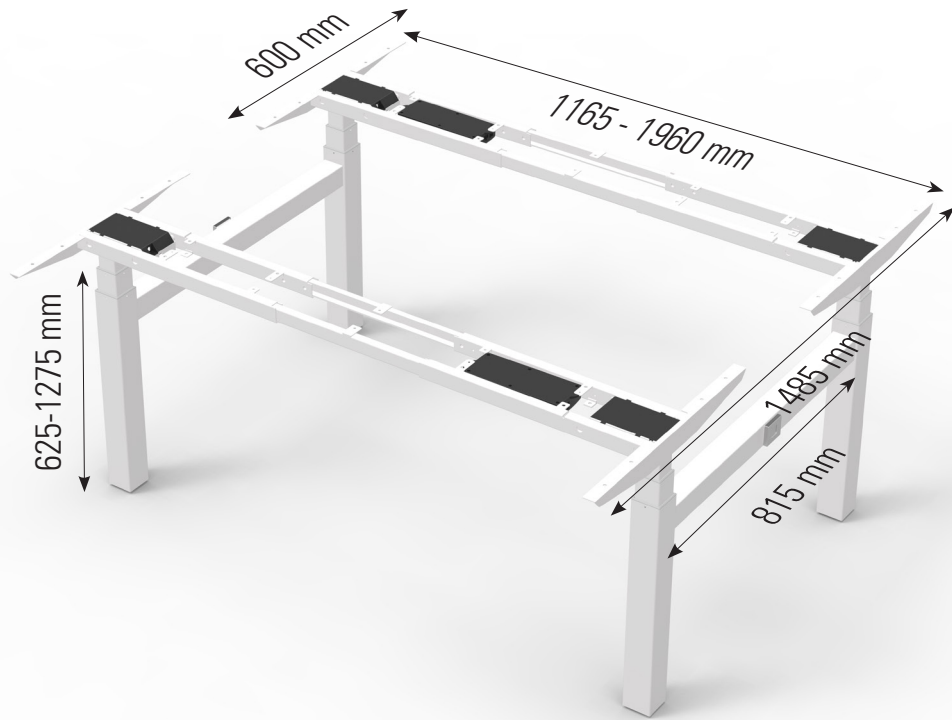


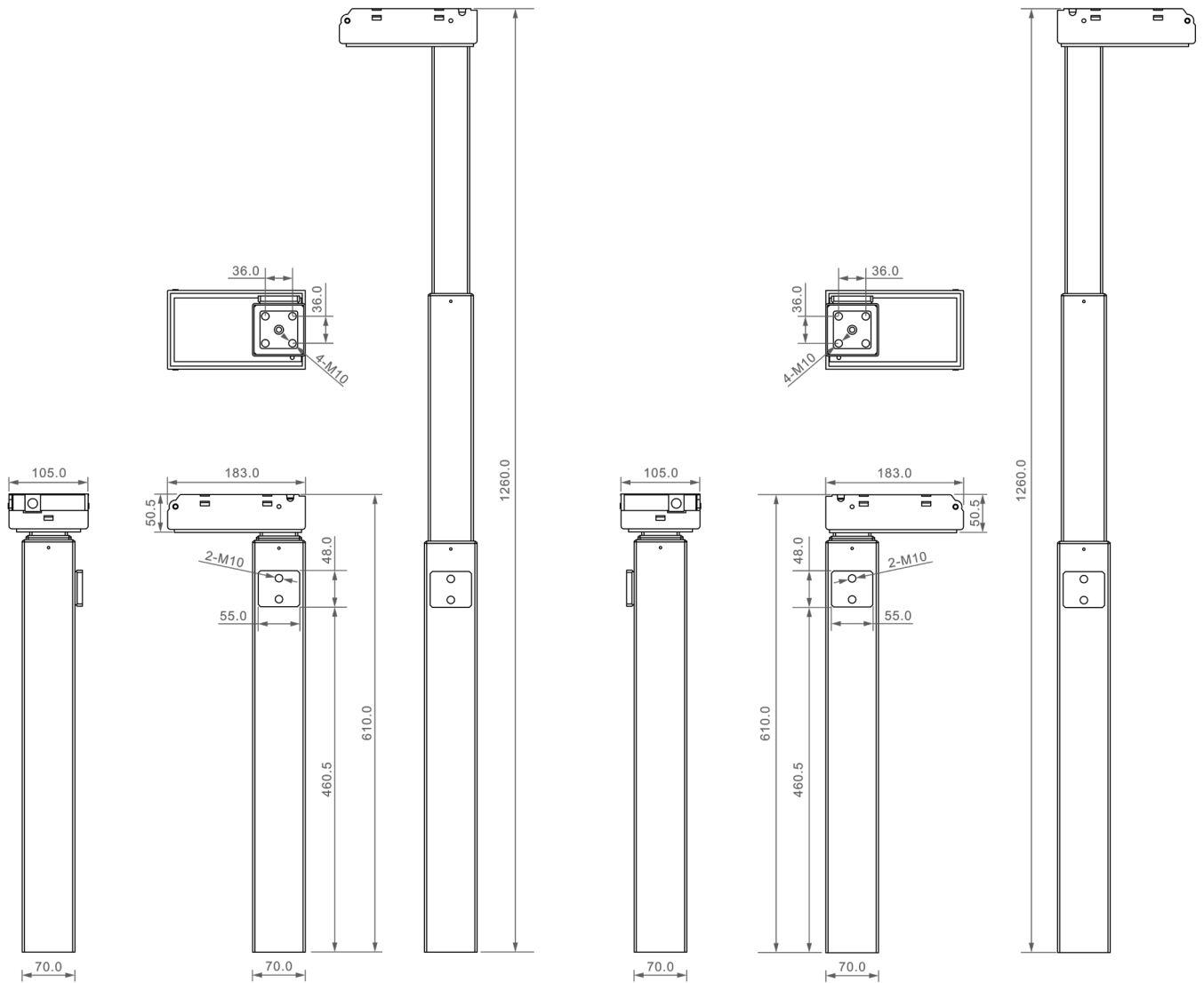
Data sheet for TL4 BENCH FRAME **ADJUSTME**



Data sheet for TL4 BENCH FRAME **ADJUSTME**

Drawing

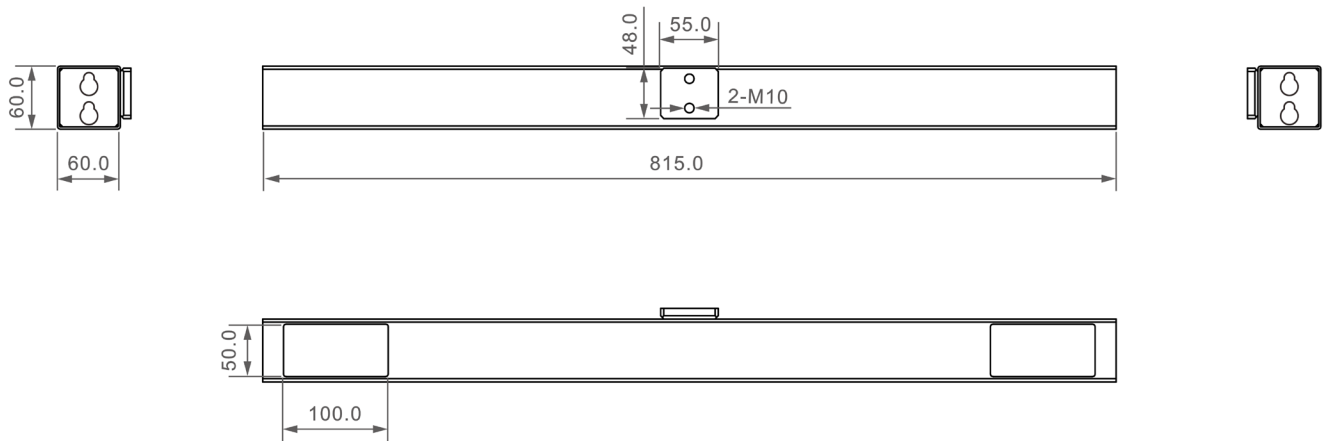
Standard dimension (mm)



Data sheet for TL4 BENCH FRAME **ADJUSTME**

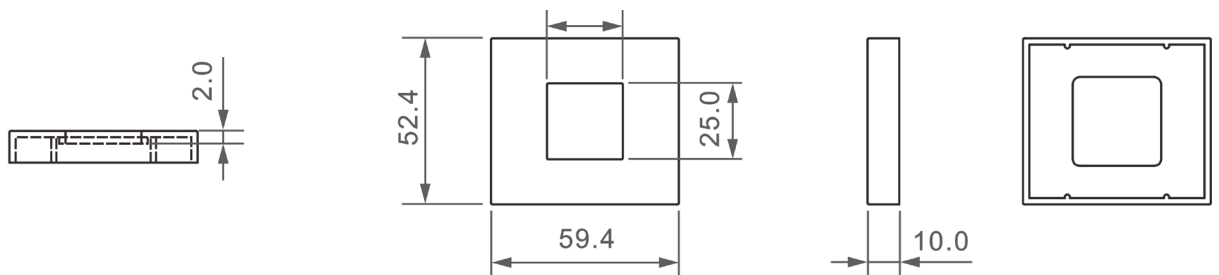
Side beam

Standard dimension (mm)



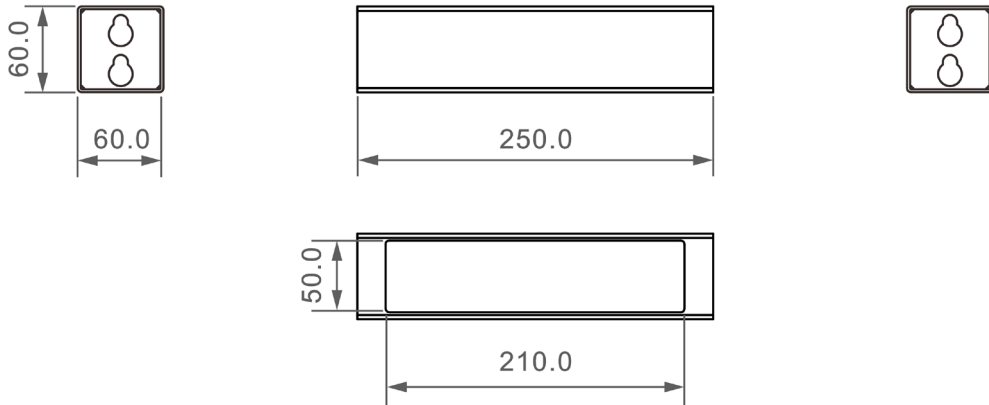
Cap

Standard dimension (mm)



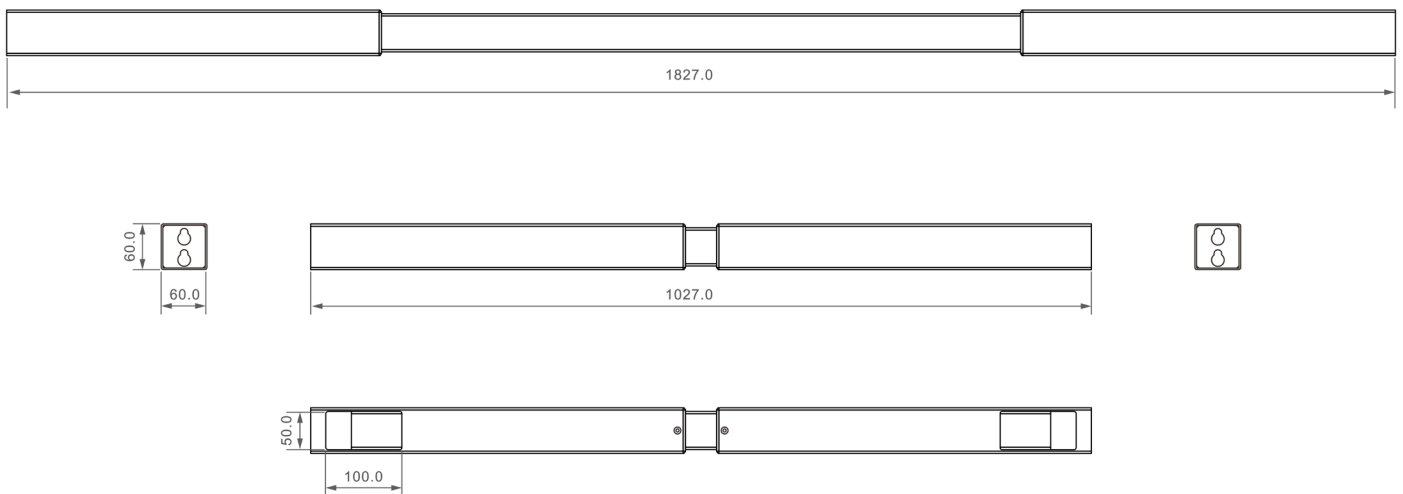
Connection beam

Standard dimension (mm)



Middle beam

Standard dimension (mm)



12 standard colors

Please request for separate color chart

Marking on labels

	CE mark
	General warning sign https://www.iso.org/obp/ui/#iso:grs:7000:4:0434A
	Class II – double insulation https://en.wikipedia.org/wiki/Appliance_classes
	Indoor use
	WEEE http://en.wikipedia.org/wiki/Waste_Electrical_and_Electronic_Equipment_Directive The electrical device can't be randomly discarded
	Type Approved safety regular production surveillance, which means that the product is ready for GS mark