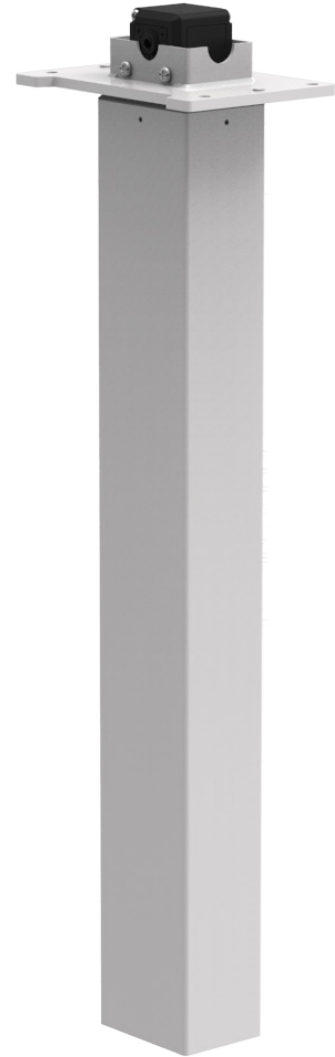


## Column - Crank 80

<b>Dimension</b>	80 x 60 – 70 x 50 mm
<b>Stroke</b>	450 mm
<b>Column height</b>	648 mm
<b>Max. load, both columns</b>	80 kg equally divided on complete frame
<b>Speed, 0-80 kg load</b>	9 mm/turn
<b>Ambient Temperature</b>	0 - 45 C°
<b>Storage and transport temp.</b>	(20) – 70 C°
<b>Friction-control</b>	100%
<b>Wiper</b>	Optional colors
<b>Invisible inlay</b>	Optional



## CE mark - EN standards / tests

RoHS compliant, according to directive 2011/65/  
EU & REACH compliant, according to directive EC 1907/2006

## Other standards / tests

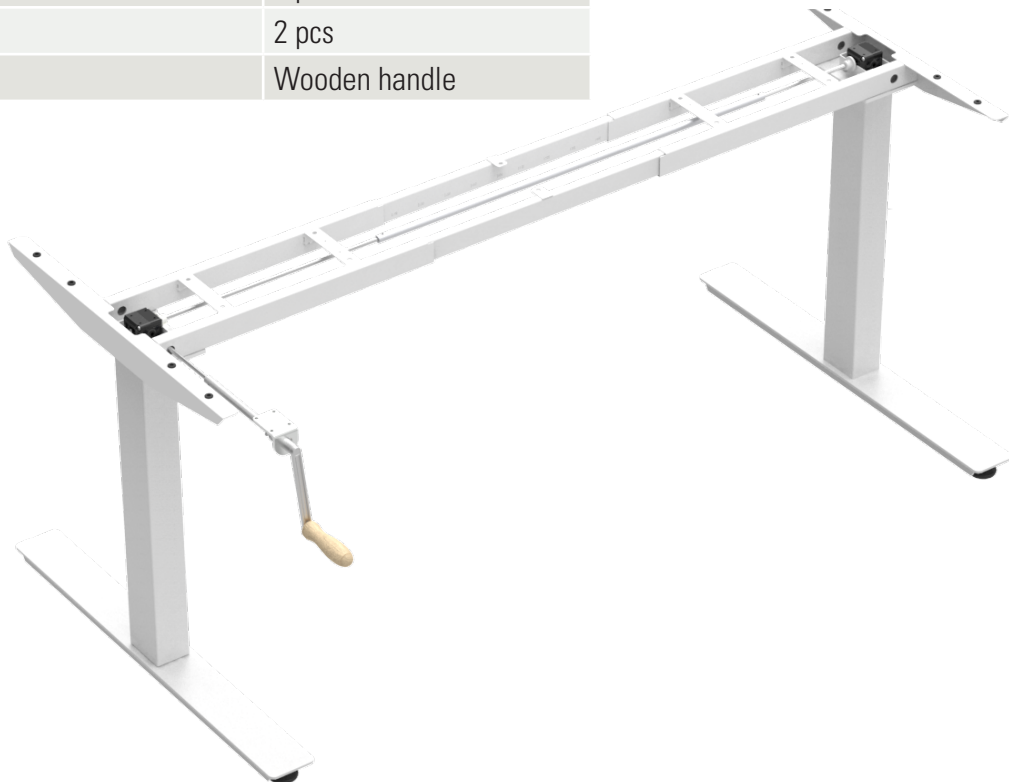
## 12 standard colors

Please request for separate color chart



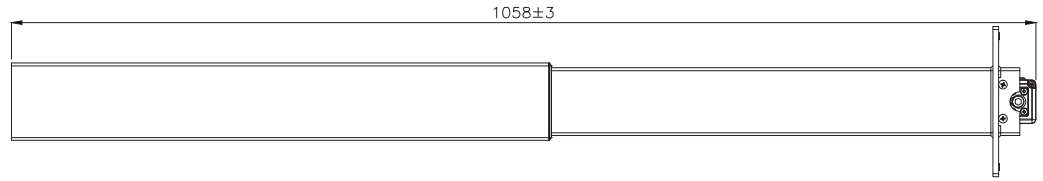
Dimension, frame length: 1050 – 1600 mm  
frame height: 680 – 1130 mm

<b>Top frame</b>	1 pcs
<b>Column</b>	2 pcs
<b>End pipe</b>	2 pcs
<b>Slanted feet</b>	2 pcs
<b>Handset</b>	Wooden handle

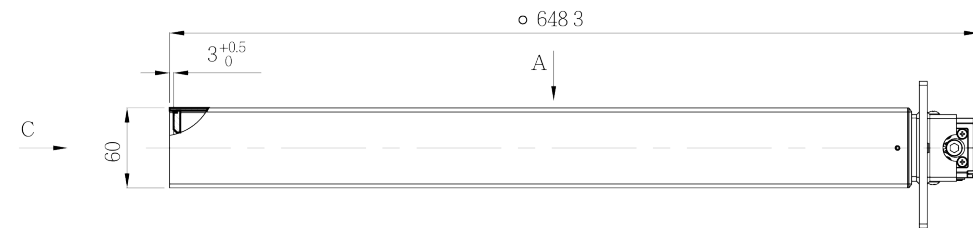
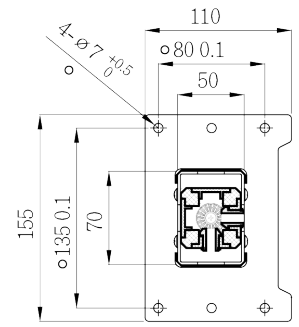
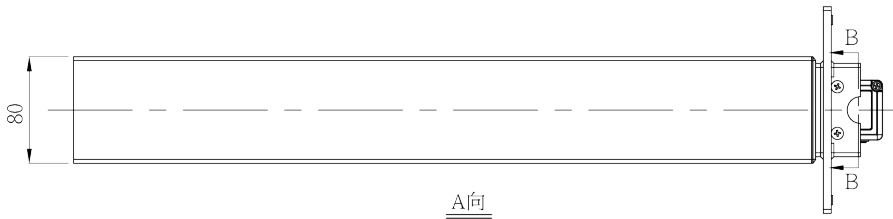


## Drawing

Standard dimension (mm)



## Left



## Right

